

UCom-05

RS232 to RS485



Features

- RS232 to **Isolated** RS485
- Data rate up to 115.2kbps
- Maximum 32 devices on RS485
- Convenient, quick inline installation
- Compact size fits into laptop bags, perfect for field services
- Removable terminal block for easy wiring

Specifications

Serial Port

- RS485 DataA(+), DataB(-), Ground (Isolation 2500VDC)
- RS232 2(RXD), 3(TXD), 5(GND)
- Connector Removable
- Data Rate 115.2 kbps

Power

- Operating Voltage 24 V_{DC}
- Consumption 1 W (low power device - draws less than 200mA)

Environmental

- Operating Temperature 0 °C to + 70 °C
- Storage Temperature -40 °C to + 85 °C
- Operating Humidity 0 to 95% (non-condensing)

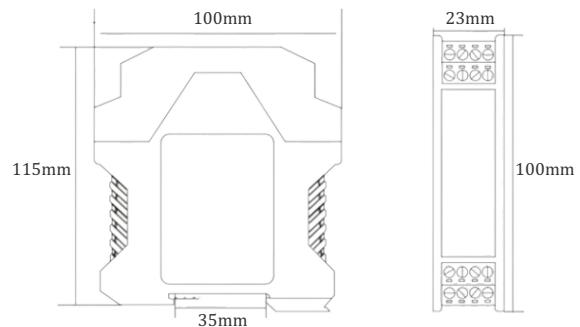
Pin Mapping

1	RS232_IN - TX	9	-
2	RS232_IN - RX	10	-
3	-	11	RT_120Ω
4	Ground	12	RT_120Ω
5	RS232_OUT - TX	13	RS485_A
6	RS232_OUT - RX	14	RS485_B
7	-	15	24V DC +
8	Ground	16	24V DC -

Mechanical

- Dimensions (mm) 23.0(L) X 100.0(W) X 115.0(H)
- Enclosure Polyamide (PA66)
- Weight 150g

Mechanical Dimensions



Application

